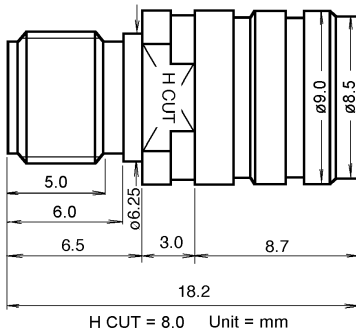


"SNAP-ON/PUSH-ON" SMA ADAPTER

PAT.



#RTM-CSMAP-AD18



* THREAD LESS SMA PLUG

- * Work **SNAP-ON** with Our SNAP-ON SMA Jack
- * Work **PUSH-ON** with Regular SMA Jack
- * SNAP-ON Type Plug
- * Recommend for testing SMA Jack mounted on the housing.
- * Not recommend for testing of PC Board.
- * Suitable for Blind Mate Connection in Narrow Space
- * Suitable for Test Line of finished goods.
- * Connecting Without Hand-Tool
- * No Twisting Torque / No Mechanical Stress
- * Life: > 3,000 Mates
- * Improve Productivity and Cost Saving

Electrical Specification

Freq. Range:	DC ~ 26.5GHz
Impedance:	50 OHM
V.S.W.R.:	Max. 1.2 (DC~18GHz), Max. 1.3(18~26.5GHz)
Insertion Loss:	Max. 0.1dB (18GHz), Max. 0.2dB (26.5GHz)

HILTRON
350 NETWORK ANALYZER

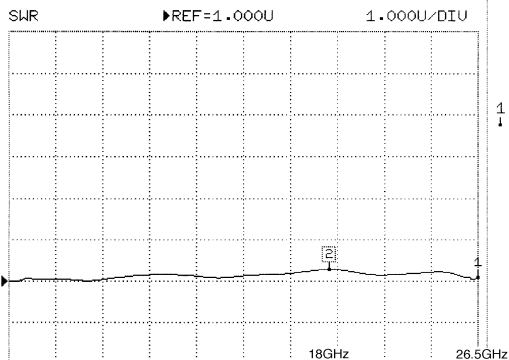
RTM-CSMP-AD18

Page 1

MODEL: DATE: OPERATOR: SWEEP DATA: START: 0.0400 GHz GATE START: - ERROR CORR: REFL ONLY STOP: 26.4869 GHz GATE STOP: - AVERAGING: 1 PTS STEP: 79.9 MHz GATE: - IF BNDWDTH: REDUCED WINDOW: -

S-PARAMETER: CH1 S11 NORMALIZATION: OFF REF DELAY: 0.000 ps SMOOTHING: 0.0 PERCENT DELAY APERTURE: -

S11 FORWARD REFLECTION



CH 1 - S: 0.000 PS
MARKER 2 18.0974 GHz 1.286 U
MARKER TO MARKER TO 1 26.4869 GHz 1.084 U

Mechanical Specification

Holding Torque:	3Kg(6.6LB) +/- 500g(1.1LB) with SNAP-ON Jack. 2.5Kg(5.5LB) +/-500g (1.1LB) with regular Jack.
Standard:	MIL C39012
Life:	> 3,000 Mates

Material & Finish:

Shell:	Stainless Steel (Passivate)
Outer Contact:	Beryllium Copper (Gold Plated)
Center Contact:	Beryllium Copper (Gold Plated)
Dielectric:	Teflon

Improve Productivity! Cost Saving!

RF TEC Mfg., Inc.

e-mail: info@rftec.com

<http://www.rftec.com>